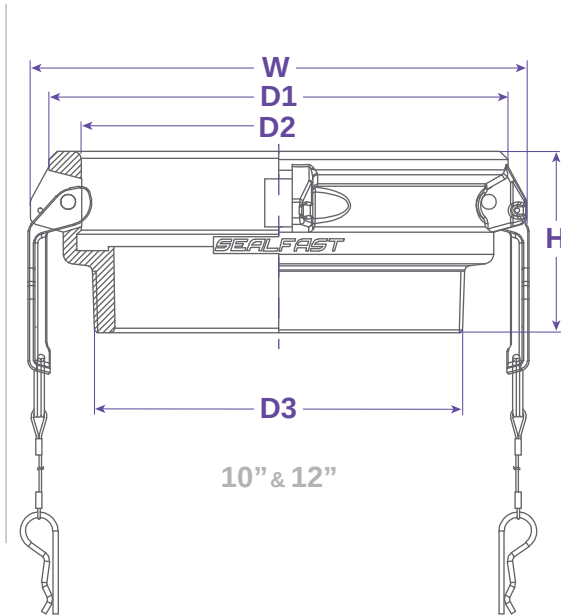
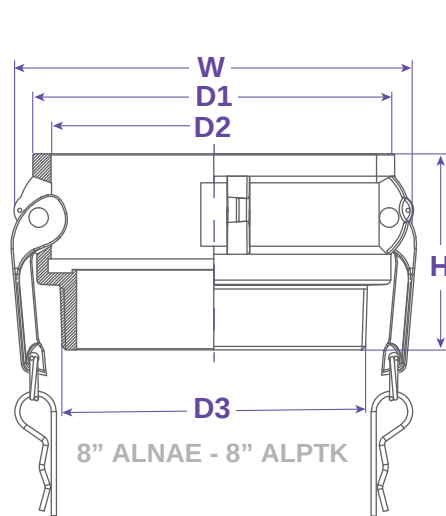
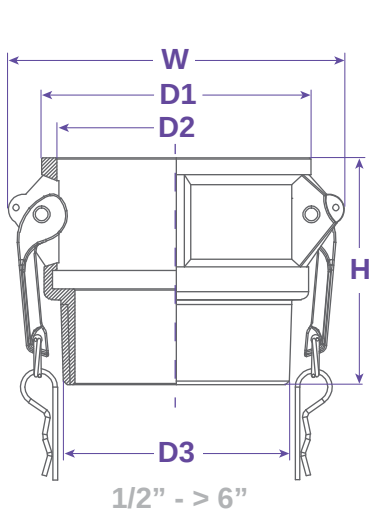




TYPE B



NAE will not interchange with PTK small body

FEATURES & APPLICATIONS:

• **General Uses:**

A camlock fitting is a type of coupling that is used to connecting hose and or pipes together that transfers liquids, powders and granules. A straight through connection is made that maintains the pipe size and allows the free flow of materials being transferred.

Size	Working PSI	D1	D2	D3	W	H	PART #
1/2"	125	1.300	0.965	1/2" NTP	1.752	2.008	B050IAL
3/4"	150	1.614	1.272	3/4" NTP	1.831	2.284	B075IAL
1"	150	1.835	1.465	1" NTP	2.185	2.598	B100IAL
1-1/4"	150	2.260	1.811	1-1/4" NTP	2.598	2.992	B125IAL
1-1/2"	150	2.571	2.122	1-1/2" NTP	2.638	3.386	B150IAL
2"	150	2.992	2.508	2" NTP	2.874	3.780	B200IAL
2-1/2"	150	3.520	3.008	2-1/2" NTP	3.386	4.331	B250IAL
3"	150	4.138	3.626	3" NTP	3.504	5.118	B300IAL
4"	150	5.354	4.732	4" NTP	3.701	6.181	B400IAL
5"	75	6.378	5.752	5" NTP	3.780	7.323	B500IAL
6"	75	7.579	6.949	6" NTP	4.075	8.898	B600IAL
8"	40	10.158	9.142	8" NTP	5.519	11.221	B800IALNAE
8"	40	10.158	8.957	8" NTP	4.409	11.575	B800IALPTK
10"	25	13.268	11.402	10" NTP	5.236	14.478	B1000IAL
12"	25	15.276	13.504	12" NTP	5.551	16.553	B1200IAL

WARNING: Cam & Groove Couplings should NOT be used with any compressed gas, including steam or air. Metal fittings should NOT be used with Polypropylene Cam & Groove. Dust Caps and Dust Plugs are NOT designed for pressure applications.

Note: All Seal Fast Cam & Groove Stainless Bodies are 316 Investment with 304 Handles.

TITLE **TYPE B - FEMALE NPT X MALE NPT**

DISCLAIMER

All drawings and specifications are subject to change without notice. Drawings represent general dimensions of our products. Seal Fast cannot guarantee the dimensions in the drawing will exactly match those in the drawing. This drawing is the property of Seal Fast Inc. Copying or reproduction of this drawing is expressly prohibited.

MATERIAL

A226AL

DRAWING NOT TO SCALE

PART # B...IAL, ALNAE, ALPTK

